



PRODUCT DESCRIPTION

The BMS-S301-PIR-ULT-8-BLE-SR-CM is a ceiling-mounted dual-technology occupancy sensor combining PIR and ultrasonic detection. It leverages Bluetooth® Low Energy (BLE) mesh networking for seamless wireless control of luminaires, excelling in environments where single-sensor systems fail. Its flexible installation and robust industrial design ensure reliable coverage in challenging spaces.

ORDERING INFORMATION

Description	Bluetooth Mesh Ceiling Mounted PIR & Ultrasonic Sensor
Part Number	BMS-S301-PIR-ULT-8-BLE-SR-CM

TECHNICAL DATA

Input Voltage	120/230/277/347VAC, 50/60Hz
Detection Method	PIR + Ultrasonic dual technology
Ultrasonic frequency	40kHz
Max Load	
Ballast/LED/Tungsten	800W@120VAC, 1200W@230VAC 1200W@277VAC, 1500W@347VAC
Detection Range	
PIR/Ultrasonic	1900ft ² (180m ²) / 1600ft ² (150m ²)
Detection Angle	360°
Wireless Protocol	Bluetooth® BLE Mesh
Max Bluetooth Range	150ft (40m), line of sight
Wireless Range	66 to 82ft (20 to 25m), typical
Operating Temp.	32°F to 131°F (0°C to 55°C)
Warranty	5 years
Mounting Height	14ft (4.2m) max

FEATURES

- Dual PIR and ultrasonic sensing for accurate occupancy detection.
- Bluetooth® Low Energy (BLE) mesh networking for wireless group control.
- App/web configurable.

Smart Networking

It enables wireless group control of luminaires via BLE mesh, and centralized management via mobile app or web portal. Ideal for large-scale lighting systems.

Dual-Technology Sensing

Combines PIR and ultrasonic motion detection to improve occupancy accuracy and reduce false triggers. Ensures reliable performance in open areas or complex indoor layouts.

Extended Wireless Range

Supports Bluetooth® communication up to 150 ft(40m) line-of-sight, allowing for flexible deployment in large open-plan spaces. Range may vary based on environmental conditions.

Flexible Installation

Compatible with 4-inch square or octagonal junction boxes, offering ceiling-mount versatility across spaces.

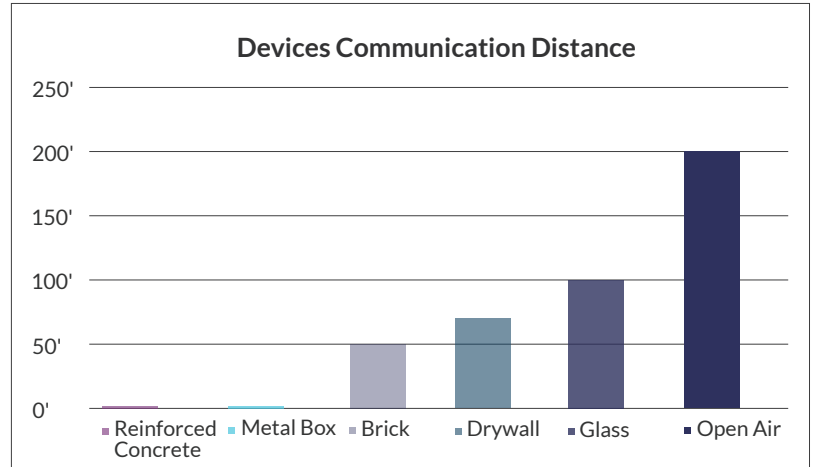
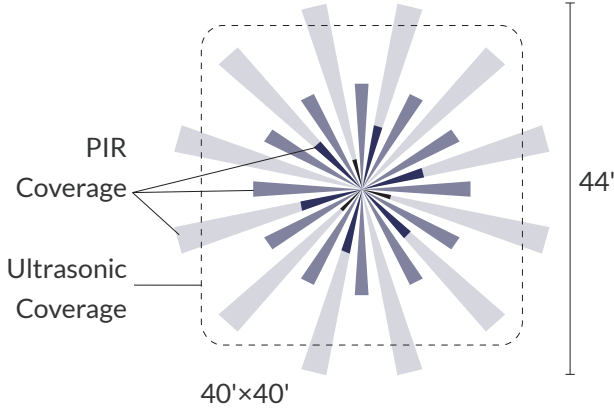
Mounting options:

1. 4 square junction box with double gangmudring.
2. 4 inch octagonal junction box.

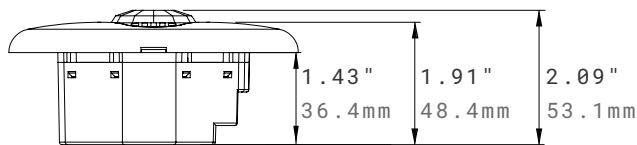
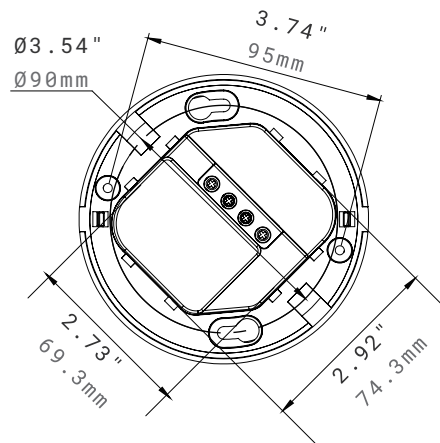
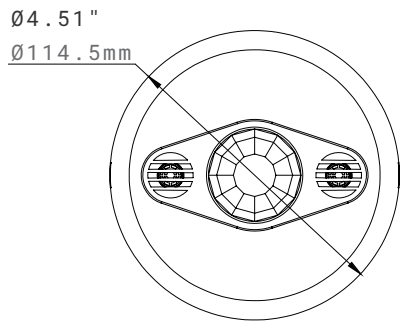
Construction

Material: white polycarbonate.

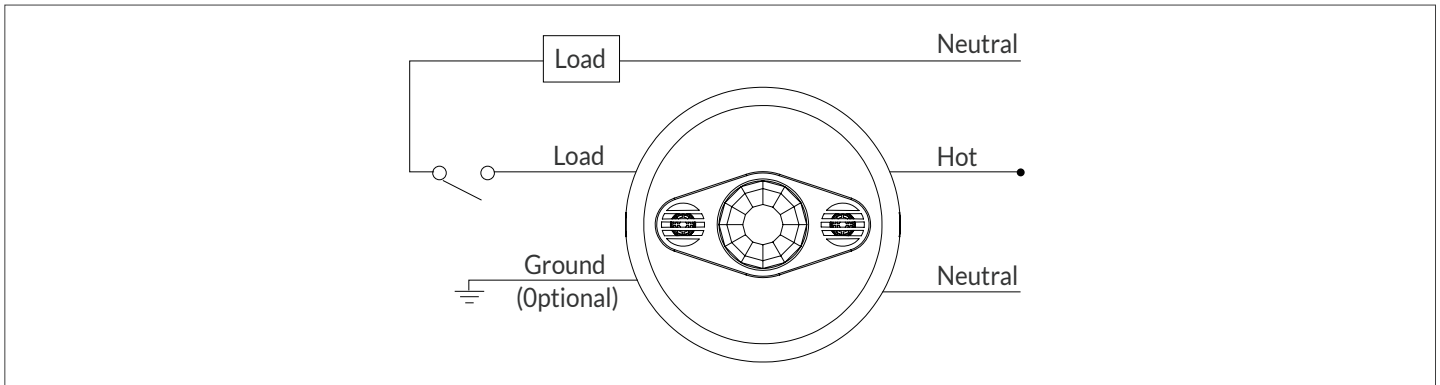
DETECTION AREA



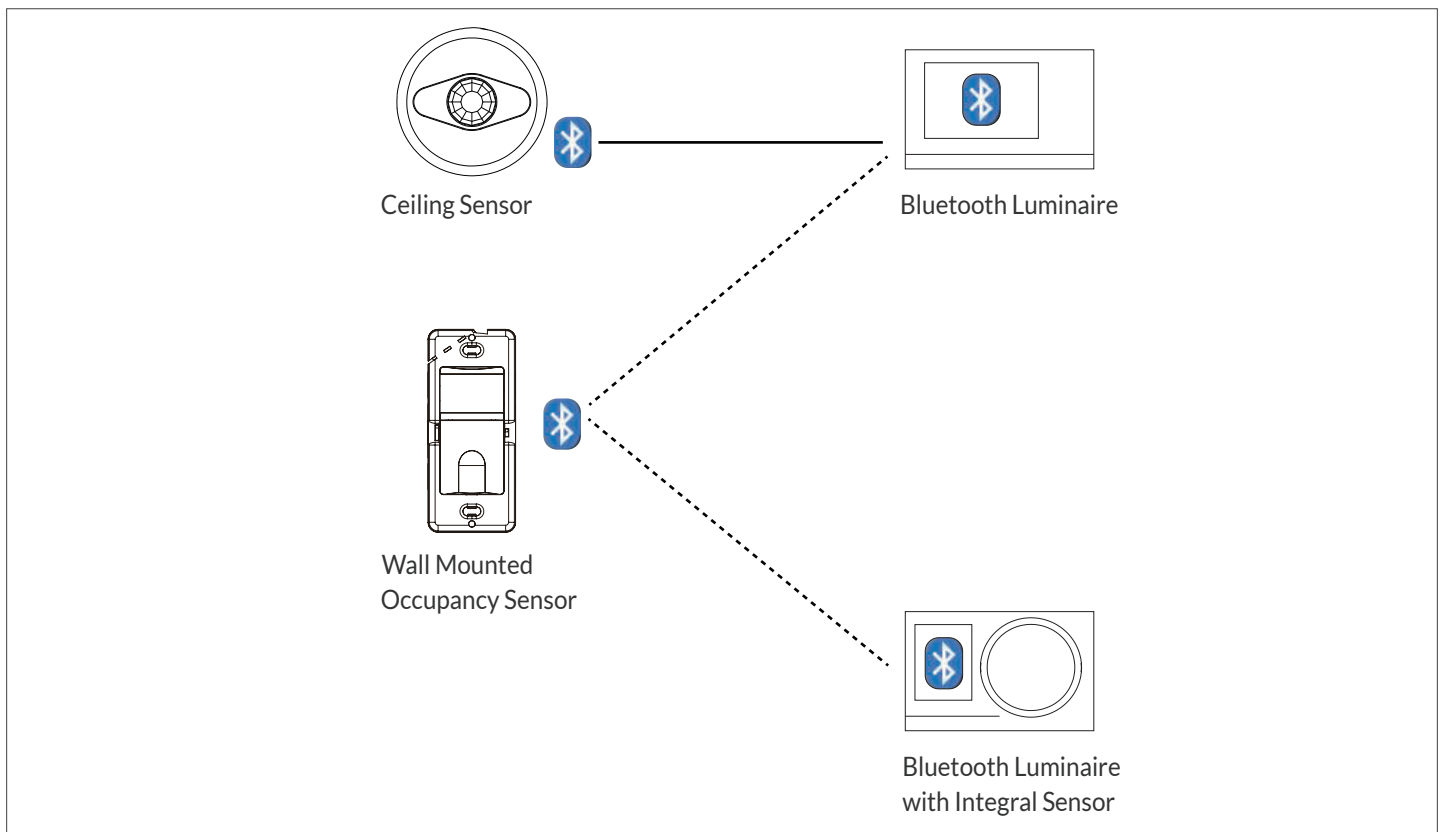
PHYSICAL DIMENSIONS



WIRING DIAGRAM



EXAMPLES



WARRANTY

5 years limited warranty.