



### APPLICATIONS

BlueMesh PIR ceiling occupancy sensor (BMS-M-PIR-IN-DC1-BLE-SR-CM) uses digital PIR Motion Detector Architecture and passive infrared (PIR) technology for improved detection coverage for ceiling mount applications.

The sensor is suitable for a variety of indoor applications. It supports ceiling mounts up to 12ft high. Both sensor and power pack are rated for use in temperatures ranging from -30° to 70°C and relative humidity from 90 to 95% at 30°C.

### OVERVIEW

- Passive infrared occupancy sensor
- Bluetooth® SIG mesh
- Ceiling Mount
- Mounting height up to 12ft (3.6m).
- LED Motion indicator
- Conforms with DLC NLC5 Cybersecurity Standards

### SENSOR OPERATION

Qualified by Bluetooth SIG for its Bluetooth Mesh 1.0.1 specification, the sensor connects to a Bluetooth mesh network and is accessed via the TruBlu web portal or mobile app for initial design, setup and scheduling, as well as subsequent parameter adjustments.

Advanced functionality such as energy monitoring, and demand response is available with the optional BlueMesh Gateway.

.See the BlueMesh Commissioning User Manual for more information.

### ACCESSORIES

#### Power Pack:

The BMS-M-PIR-IN-DC1-BLE-SR-CM Roperates on 12-24VDC input and requires a separate BlueMesh power pack. See BlueMesh Power Pack data sheets.

Alternatively, the sensor can operate with a driver that has an auxiliary output (12 V).

### SUMMARY

Sensor Type:  
**PIR occupancy sensor**

Input Voltage |  
Current Consumption:  
**12-24 VDC | 50 mA**

Height:  
**Mounting Height:**  
**Ceiling mount up to 12ft (3.6m)**

Sensor Range:  
**Max Sensor Range:**  
**37ft (11.3m) radius**  
**Max Bluetooth Range<sup>1</sup>**  
**100ft (30.4m)**

Operating Temperature:  
**-30°C to 70°C (-22°F- 158°F)**  
Storage Temperature:  
**-40° C to 80°C (-40°F- 176°F)**

Relative Humidity:  
**90-95% non-condensing**

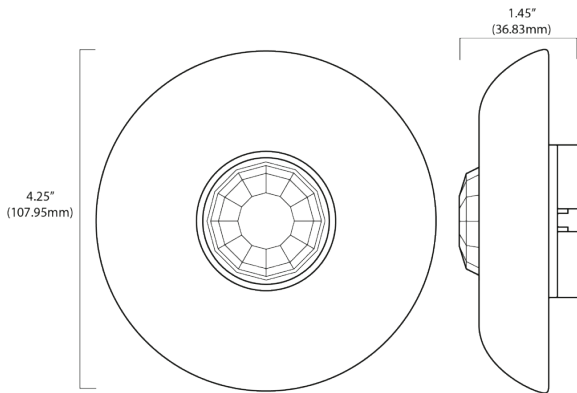
Color:  
**White or Black**

**Warranty: 5 years**

Note:

1. Bluetooth Range is highly dependent on the integration of fixtures, surrounding environment and conditions. It is recommended to conduct testing for range accuracy.

## PHYSICAL DIMENSIONS

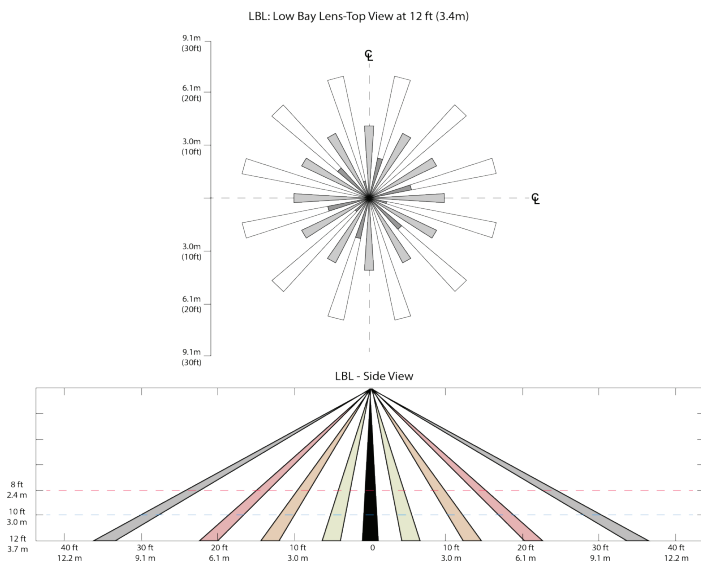


## ORDERING INFORMATION

Example: BMS-M-PIR-IN-DC1-BLE-SR-CM

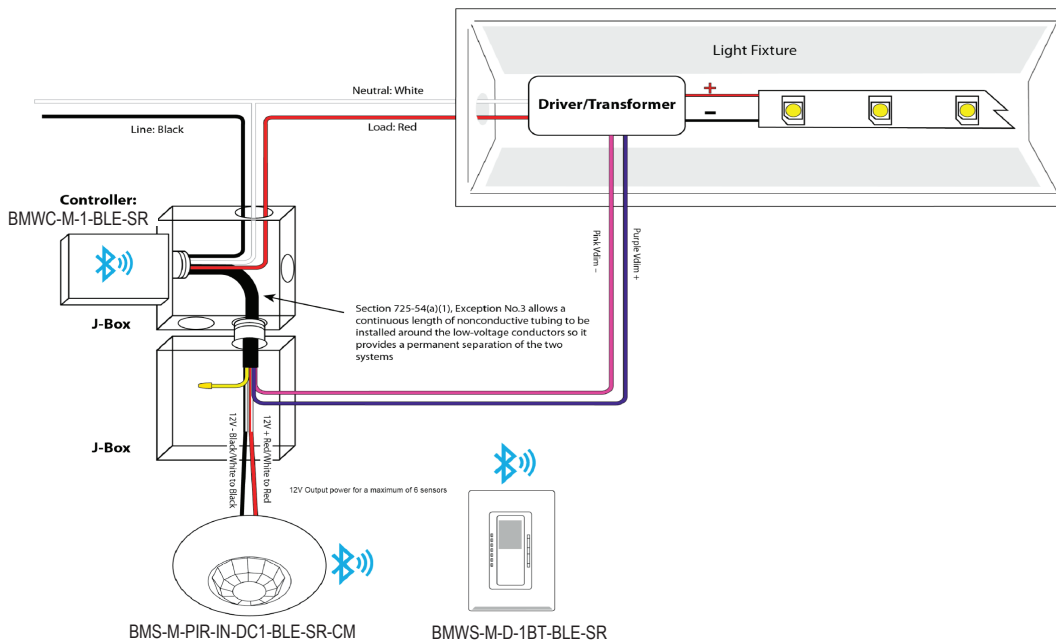
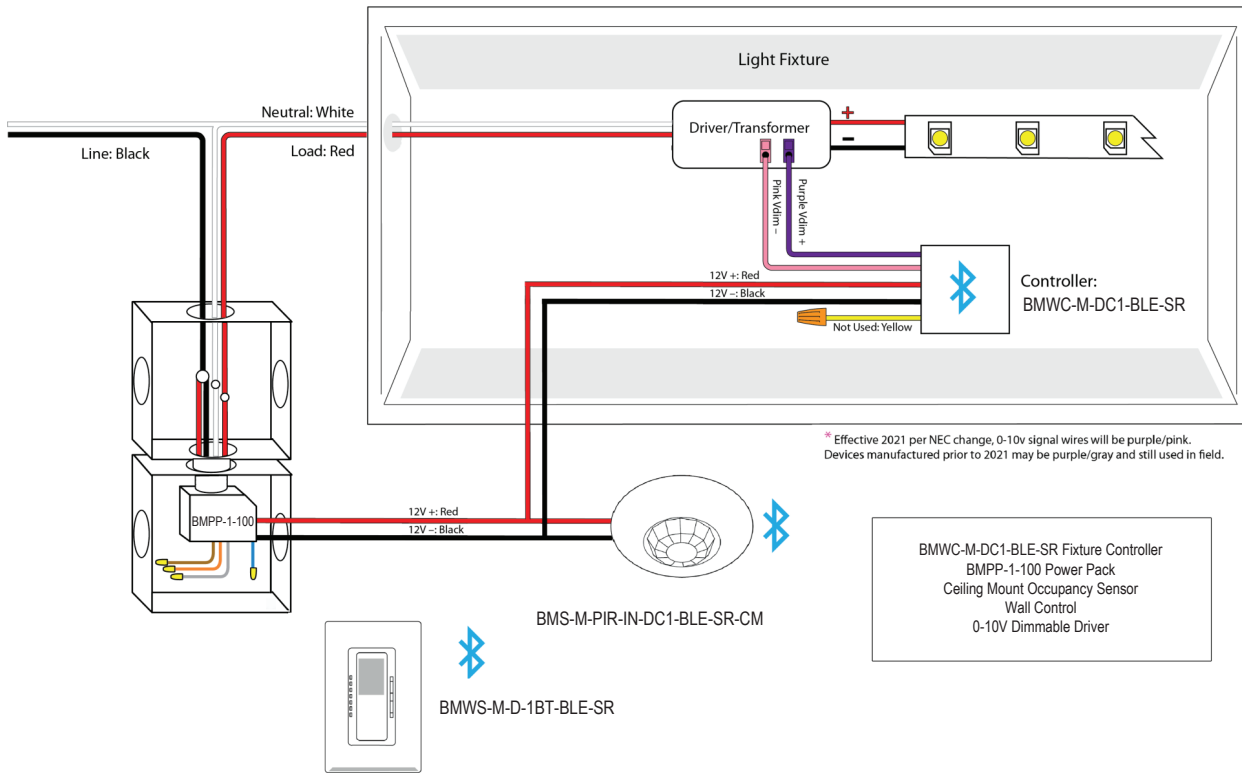
Model No.	Description	Input Voltage
BMS-M-PIR-IN-DC1-BLE-SR-CM	Passive Infrared (PIR) Ceiling Mount Occupancy Sensor, BlueMesh	12-24 VDC

## DETECTION AREA



Note: The application/absolute range of the sensor is subject to variation because of different types of clothing, backgrounds, and ambient temperature. Therefore, ensure that the lens is properly oriented along routes with expected traffic and conduct testing along those routes.

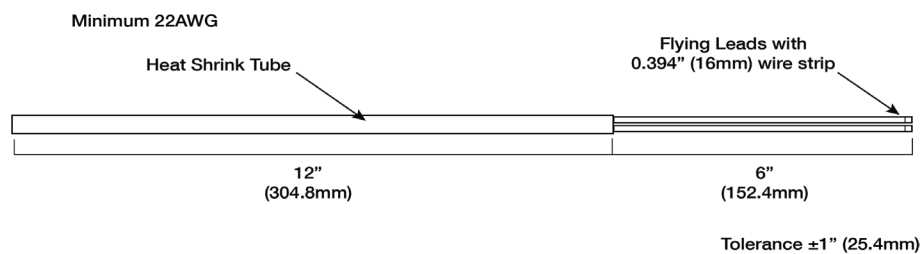
## WIRING DIAGRAM



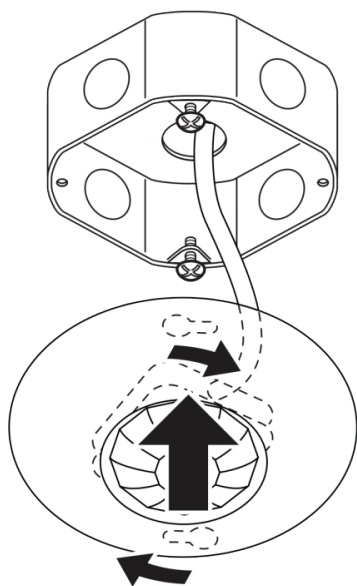
Input Line Black, Input Common White, Load Red	12AWG, 180+/-20mm, Strip 10mm Tin Plated
Output 12V+ Black/White, Output 12V- Red/White, Sen Input Yellow, 0-10V+ Purple, 0-10V- Pink	22AWG, 180+/-20mm, Strip 10mm Tin Plated

BMWC-M-1-BLE-SR Controller  
PIR Ceiling Sensor  
Wireless Wall Dimmer  
0-10V Dimming Driver

### Leads:



### INSTALLATION



### WARRANTY

Five year limited warranty.

Specifications subject to change without notice.