



## APPLICATIONS

The BMS-M-PIR-RT-DC1-BLE-SR-CM uses digital PIR Occupant Sensor Architecture and Dual Element passive infrared (PIR) technology for improved detection coverage for indoor ceiling or acoustical tile applications.

The BMS-M-PIR-RT-DC1-BLE-SR-CM is a Class 2 Device designed to satisfy CA Title 24 requirements for dimming\* of lighting fixtures.

The sensor is suitable for a variety of indoor applications. It supports ceiling mounting heights up to 10ft (3m). Both sensor and power pack are rated for use in temperatures ranging from -30° to 70°C and relative humidity from 90 to 95% at 30°C.

For Fixture Mount Version see data sheet BMS-M-PIR-RT-DC1-BLE-SR-CM

\*For dim to off, BlueMesh® Power Pack Power Pack or LED dimming driver capable of dimming to off is required.

## OVERVIEW

- LED Motion indicator
- Active High output for Relay drive
- Mounting height of 10ft (3m)
- Conforms with DLC NLC5 Cybersecurity Standards

## SUMMARY

Sensor Type:  
PIR Occupancy/Vacancy Sensor

Input Voltage |  
Current Consumption:

**12-24 VDC | 50 mA**

**0-10V Output: 30mA**

**Output: Active High Vin-2.5V 30mA source**

Height:

**Mounting Height:**

**Fixture mounting height at 10ft (3m)**

Sensor Range:

Max Sensor Range:

**10ft (3m) radius**

**Max Bluetooth Range <sup>1</sup>:**

**100ft (30.4m)**

Operating Temperature:

**-30° C to 70°C**

Storage Temperature:

**-40° C to 80°C**

Relative Humidity:

**90-95% non-condensing**

Color:

**White**

Note:

1. Bluetooth Range is highly dependent on the integration of fixtures, surrounding environment and conditions. It is recommended to conduct testing for range accuracy.

## SENSOR OPERATION

### BlueMesh® Controls:

Qualified by Bluetooth SIG for its Bluetooth Mesh 1.0.1 specification, the sensor connects to a Bluetooth mesh network and is accessed via the BlueMesh web portal or mobile app for initial design, setup and scheduling, as well as subsequent parameter adjustments. Advanced functionality such as energy monitoring, and demand response is available with the optional BlueMesh Gateway.

### Dimming:

0-10V dimmer connects to 0-10V control on the LED driver.

### Relay Control:

An additional High Control output can be used to trigger relays or other control circuitry.

See BlueMesh® Commissioning User Manual for more info.

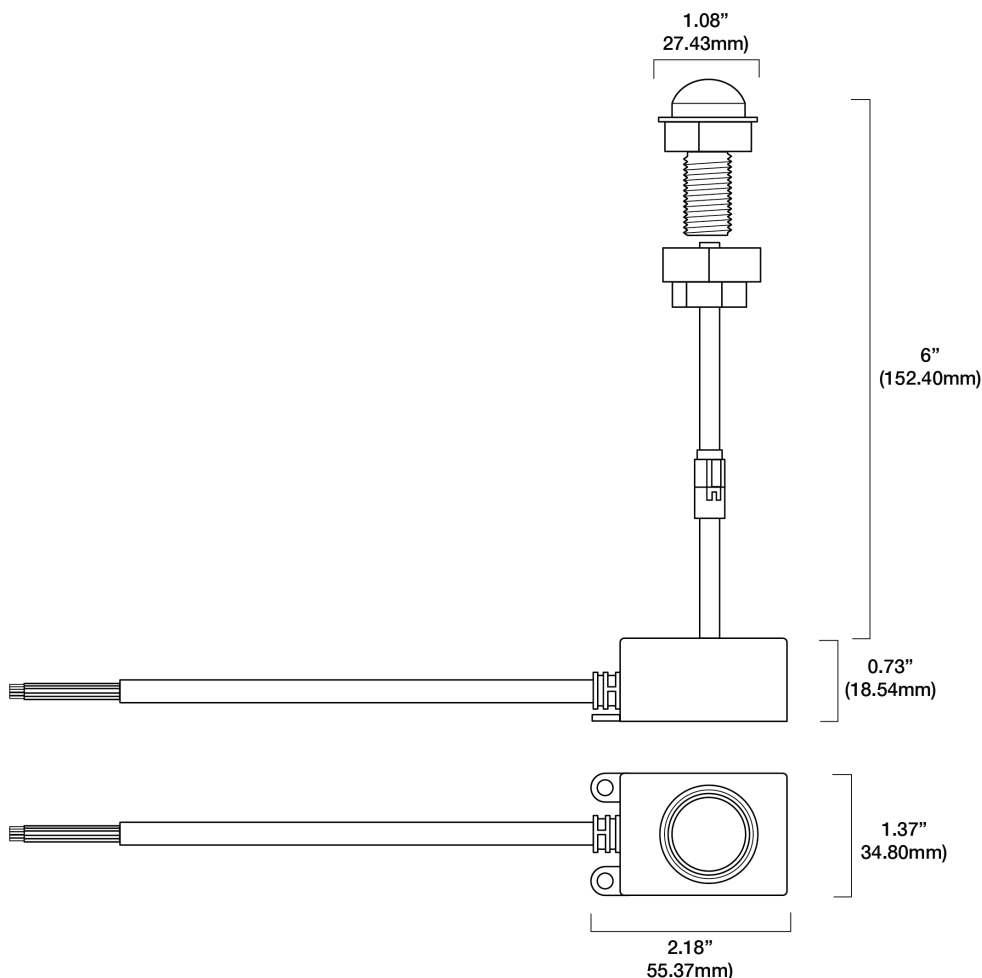
## ACCESSORIES

### Power Pack:

The PIR occupancy sensor operates on 12-24 VDC input and requires a separate power pack.

Alternatively, the sensor can operate with a driver that has an auxiliary output (12 V)

## PHYSICAL DIMENSIONS



## ORDERING INFORMATION

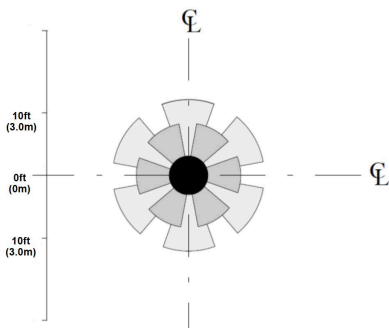
Example: BMS-M-PIR-RT-DC1-BLE-SR-CM

Model No.	Description	Input Voltage	Dimming Output	Output
BMS-M-PIR-RT-DC1-BLE-SR-CM	Passive Infrared (PIR) Fixture Mount Occupancy Sensor, BlueMesh® Silvair technology partner	12-24VDC	0-10V, 30mA	Active High

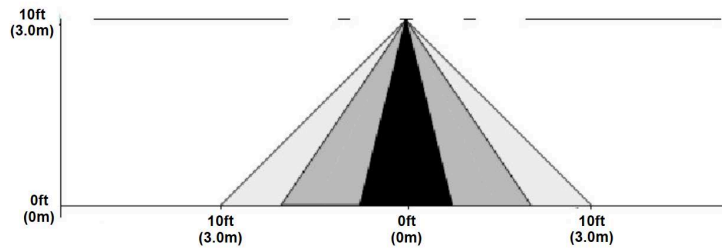
For Line to Low Voltage Power Supply/Controller, please check Bluemesh power pack.  
Design and specifications are subject to change without notice.

## DETECTION AREA

Floor Coverage at 10 ft (3.0m)

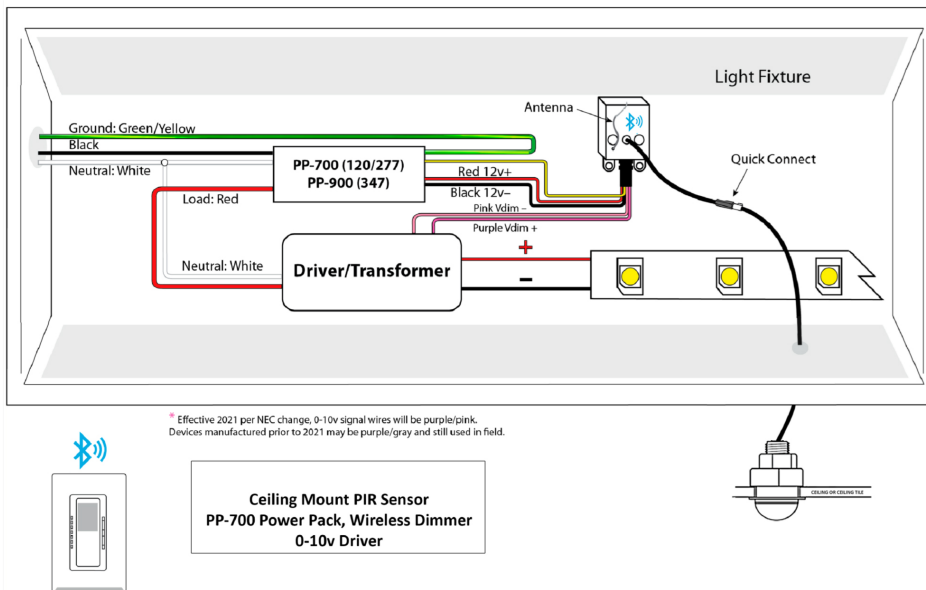


Side View

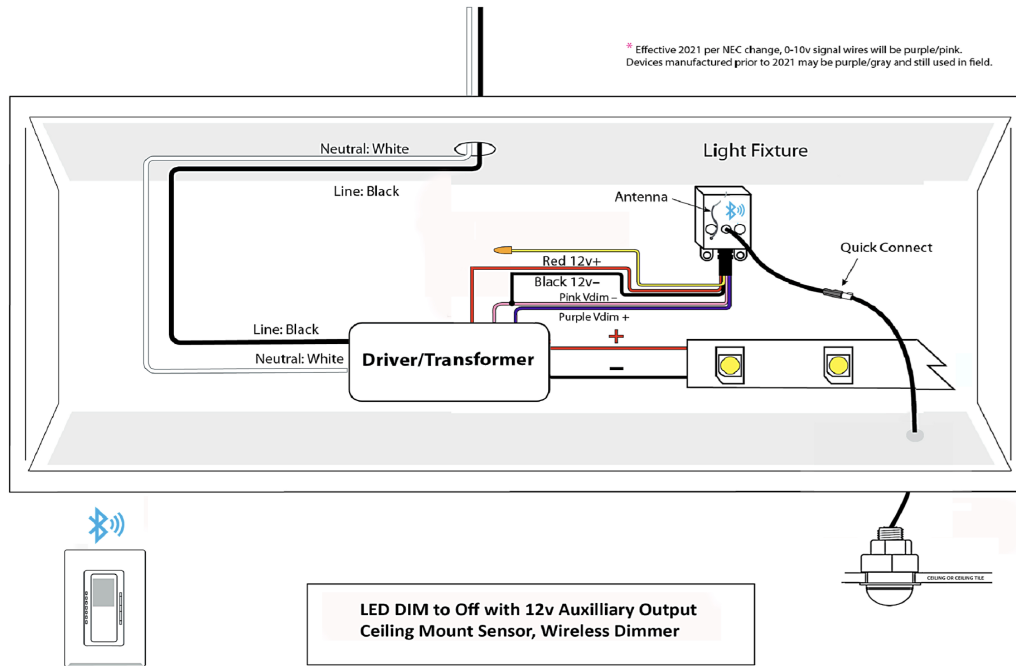


## WIRING DIAGRAM

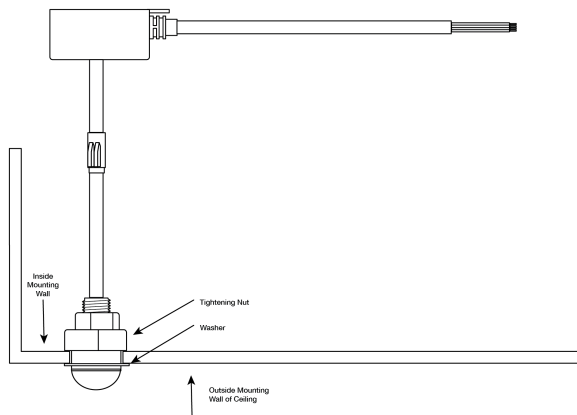
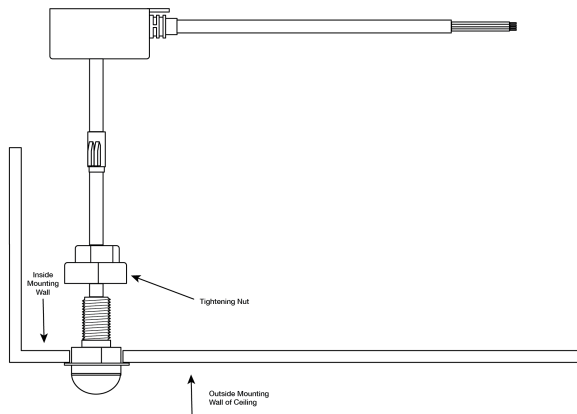
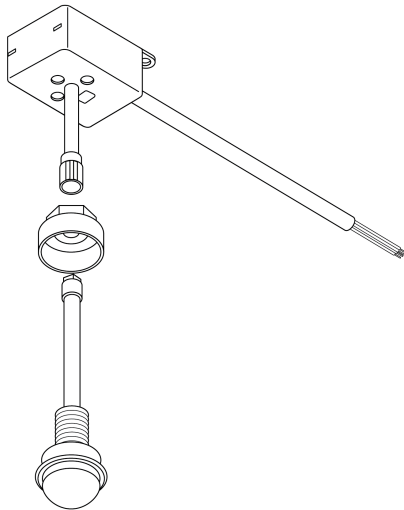
Wiring Diagram and Ceiling Mount



## Dim to Off Driver with 12v Auxiliary Power

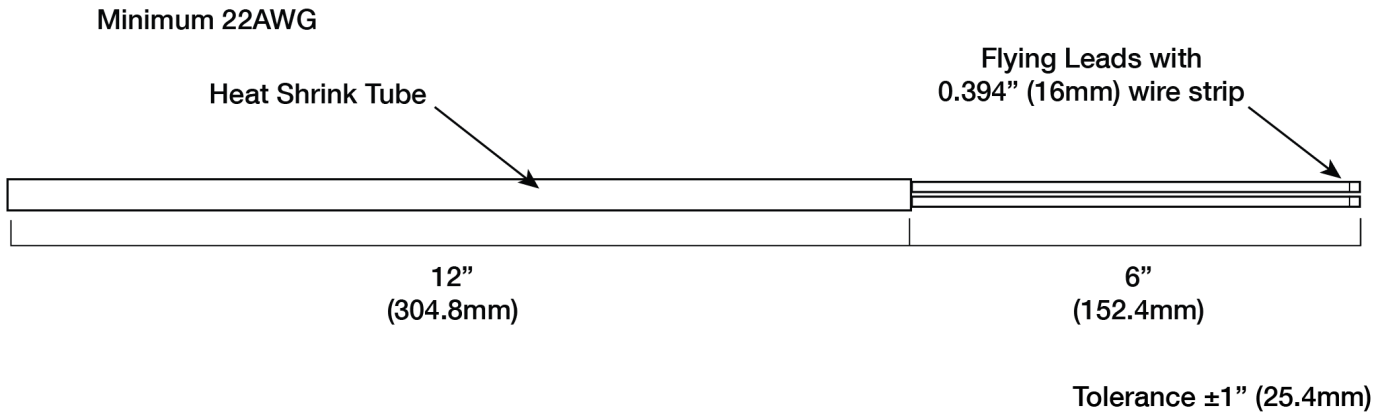


## INSTALLATION



For fixture mount version see data sheet

### Leads



## WARRANTY

Five year limited warranty.

Specifications subject to change without notice.