



APPLICATIONS

The BMS-M-PIR-RT-DC1-BLE-SR uses digital PIR Occupant Sensor Architecture and Dual Element passive infrared (PIR) technology for improved detection coverage for indoor ceiling, or acoustical tile mount applications. The sensor is ideal for LLLC (Luminaire Level Lighting Control) strategies in larger areas like open offices, cafeterias, corridors where it is desired to maximize granular energy savings.

The BMS-M-PIR-RT-DC1-BLE-SR is a Class 2 Device designed to satisfy CA Title 24 requirements for dimming* of lighting fixtures.

The sensor is suitable for a variety of indoor applications. It supports fixture mounting heights up to 9 ft (2.7m). Both sensor and power pack are rated for use in temperatures ranging from -30° to 70°C and relative humidity from 90 to 95% at 30°C.

For Ceiling Mount Version see data sheet BMS-M-PIR-RT-DC1-BLE-SR-CM

*For dim to off, BlueMesh® Power Pack or LED dimming driver capable of dimming to off is required.

OVERVIEW

- PIR and Daylight sensor
- MOUNTS IN FIXTURE
- Bluetooth® SIG mesh
- High-End Trim, Zoning, Continuous Dimming
- LED Motion indicator
- Active High output for Relay drive
- Mounting height of 10ft (3m)
- Conforms with DLC NLC5 Cybersecurity Standards

SUMMARY

Sensor Type:
PIR Occupancy/Vacancy Sensor

Input Voltage |
Current Consumption:

12-24 VDC | 50 mA

0-10V Output: 30mA

Output: Active High Vin-2.5V 30mA source
Height:

Mounting Height:

Fixture mounting height at 10ft (3m)

Sensor Range:

Max Sensor Range:

10ft (3m) radius

Max Bluetooth Range ¹:

100ft (30.4m)

Operating Temperature:

-30° C to 70°C

Storage Temperature:

-40° C to 80°C

Relative Humidity:

90-95% non-condensing

Color:

White

Note:

1. Bluetooth Range is highly dependent on the integration of fixtures, surrounding environment and conditions. It is recommended to conduct testing for range accuracy.

SENSOR OPERATION

BlueMesh® Controls:

Qualified by Bluetooth SIG for its Bluetooth Mesh 1.0.1 specification, the sensor connects to a Bluetooth mesh network and is accessed via the BlueMesh web portal or mobile app for initial design, setup and scheduling, as well as subsequent parameter adjustments. Advanced functionality such as energy monitoring, and demand response is available with the optional BlueMesh Gateway.

Dimming:

0-10V dimmer connects to 0-10V control on the LED driver.

Relay Control:

An additional High Control output can be used to trigger relays or other control circuitry.

See BlueMesh® Commissioning User Manual for more info.

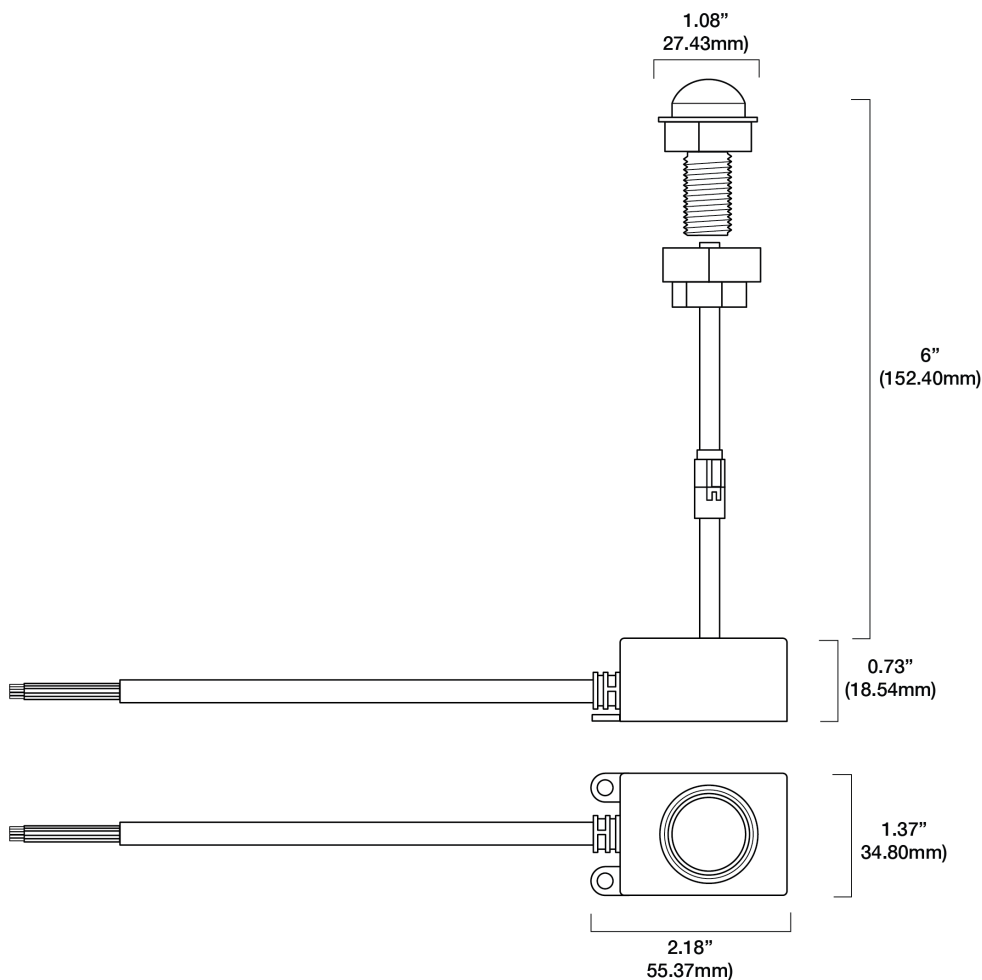
ACCESSORIES

Power Pack:

The PIR occupancy sensor operates on 12-24 VDC input and requires a separate power pack.

Alternatively, the sensor can operate with a driver that has an auxiliary output (12 V)

PHYSICAL DIMENSIONS



ORDERING INFORMATION

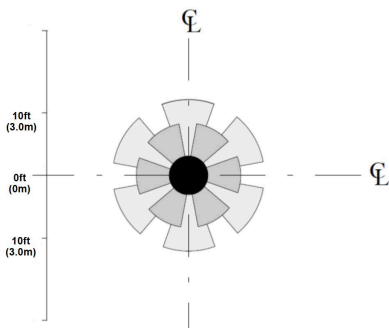
Example: BMS-M-PIR-RT-DC1-BLE-SR

| Model No. | Description | Input Voltage | Dimming Output | Output |
|-------------------------|---|---------------|----------------|-------------|
| BMS-M-PIR-RT-DC1-BLE-SR | Passive Infrared (PIR) Fixture Mount Occupancy Sensor, BlueMesh® Silvair technology partner | 12-24VDC | 0-10V, 30mA | Active High |

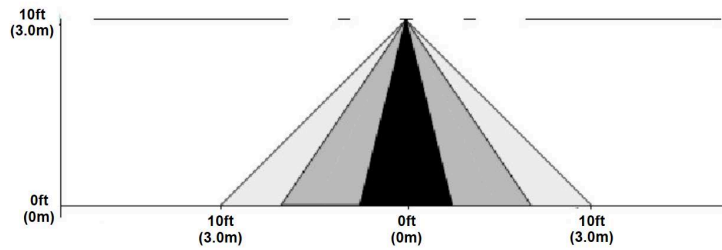
For Line to Low Voltage Power Supply/Controller, please check BlueMesh power pack.
Design and specifications are subject to change without notice.

DETECTION AREA

Floor Coverage at 10 ft (3.0m)

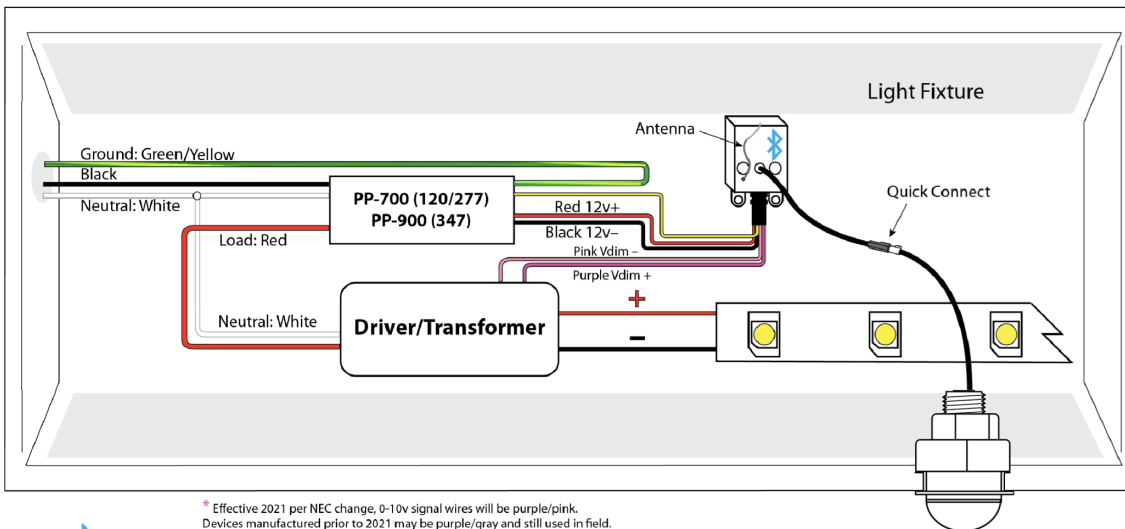


Side View

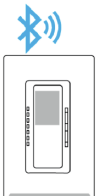


WIRING DIAGRAM

Wiring Diagram and Fixture Mount



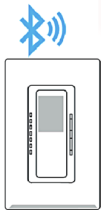
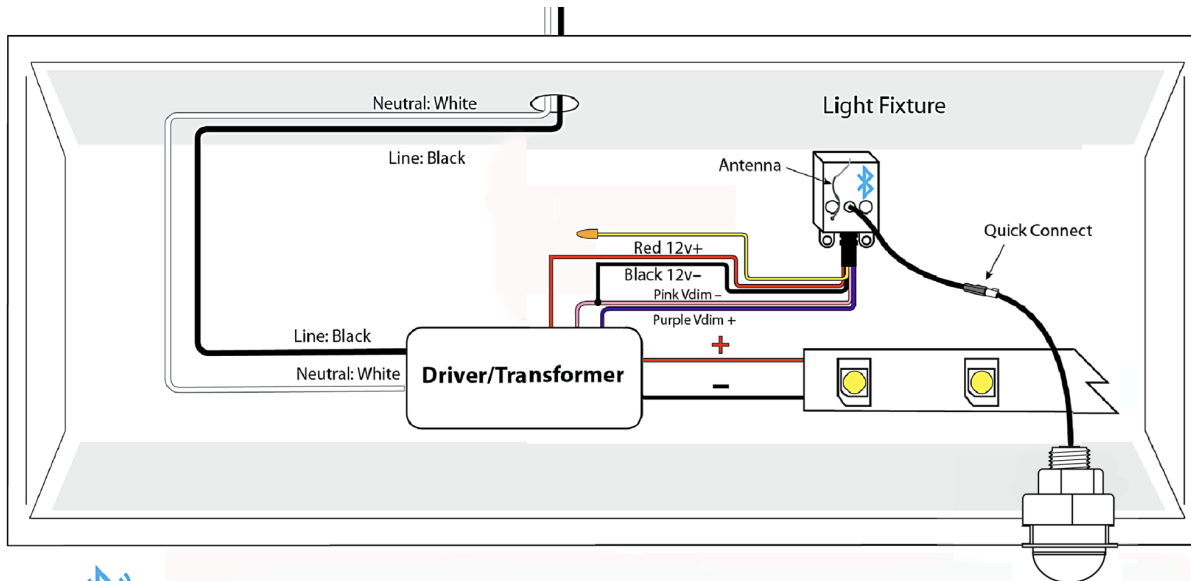
* Effective 2021 per NEC change, 0-10v signal wires will be purple/pink. Devices manufactured prior to 2021 may be purple/gray and still used in field.



0-10 Volt Dimming Driver, PP-700 or PP-900,
PIR Sensor

PSC-BL-I-RT-DC0-BLE-SR
Fixture Mount PIR

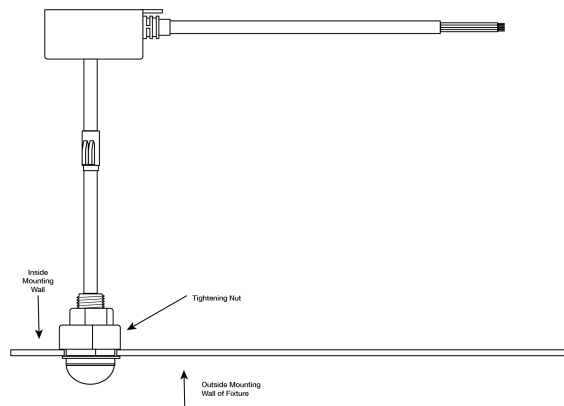
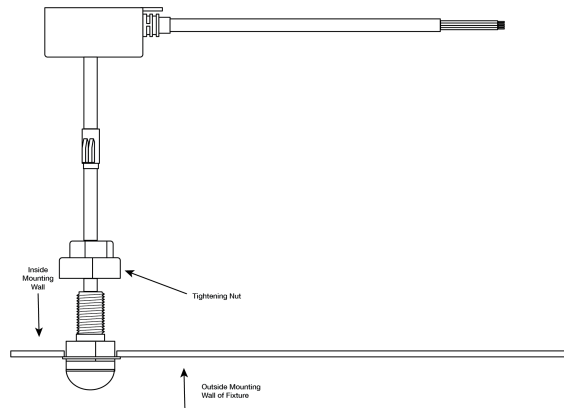
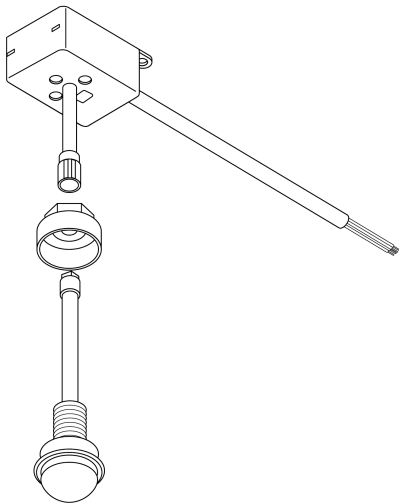
Dim to Off Driver with 12v Auxiliary Power



Typical for McWong Fixture Mount Sensors with DIM to OFF and 12V Auxillary Power:
PSC-BL-I-RD-DC0-BLE-SR, PSC-BL-RT-DC0-BLE-SR

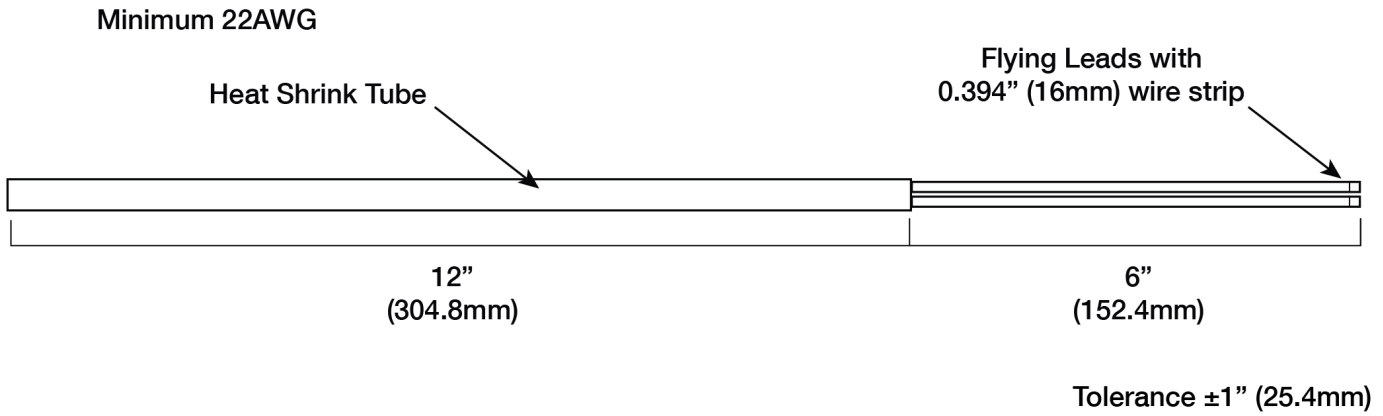
**LED DIM to Off with 12v Auxilliary Output
Fixture Mount Sensor, Wireless Dimmer**

INSTALLATION



For ceiling mount version see data sheet PSC-BL-I-RT-DC0-BLE-SR-CM.

Leads



WARRANTY

Five year limited warranty.

Specifications subject to change without notice.